

Automotive Relay Series汽车继电器系列--QY307

FEATURES特点

- Up to 80A contact switching capability
高达80A触点切换能力
- 0.5kV dielectric strength (between coil and contacts)
线圈与触点间介质耐压500V
- Plastic sealed and dust protected types available
塑封型和防尘罩型可供选择
- Outline dimensions (28.1X28.1X26.0) mm.
外形尺寸 (28.1X28.1X26.0) mm。



CONTACT PARAMETERS触点参数

Model Series型号系列	QY307
Rating Load (Resistive) 额定负载 (阻性)	70A/80A 14VDC
Max. Switching Current最大切换电流	80A
Max. Switching Voltage最大切换电压	30VDC
Max. Switching Power最大切换功率	980W

CHARACTERISTICS性能参数

Contact Materials触点材料	Ag Alloy银合金	
Contact Resistance接触电阻	50mΩ Max.	
Operate Time吸合时间	10msec. Max.	
Release Time释放时间	7msec. Max.	
Insulation Resistance绝缘电阻	100MΩ Min. (DC500V)	
Initial Dielectric Strength介质耐压	Between open contacts: 触点与触点间:	AC500V, 50/60Hz 1Min.
	Between contacts and coil: 触点与线圈间:	AC500V, 50/60Hz 1Min.
Vibration Resistance抗振动	Damage limits: 耐久:	10~55Hz Double Amplitude双振幅1.5mm
	Malfunction: 误动作:	10~55Hz Double Amplitude双振幅1.5mm
Shock Resistance抗冲击	Damage limits: 耐久:	100G Min.
	Malfunction: 误动作:	18G Min.
Life寿命	Mechanical Life (10800 per hour) 机械寿命 (每小时10800次)	1 × 10 ⁷
	Electrical Life (600 per hour) 电气寿命 (每小时600次)	1 × 10 ⁵
Ambient Temperature环境温度	-40°C ~ +125°C (No condensation) (不冷凝)	
Unit Weight单位重量	约Approx36.1g	

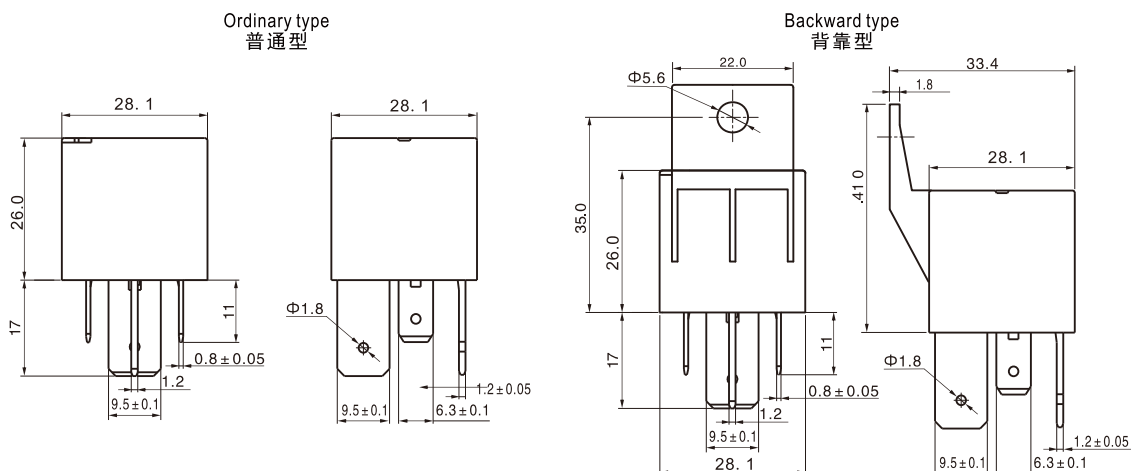
COIL RATINGS (at20°C) 线圈参数 (在20°C)

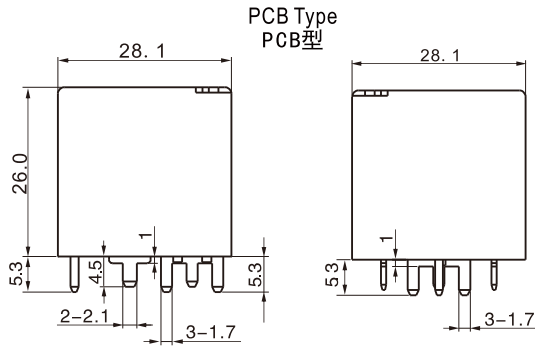
Coil Nominal Voltage 额定电压 (VDC)	Nominal Current 额定电流 ±10%(mA)	Coil Resistance 线圈电阻 ±10% (Ω)	Max. Continuous Voltage 最大连续外加电压	Pick-Up Voltage 吸合电压 (Max)	Drop-Out Voltage 释放电压 (Min)	Rated power 额定功率
6	266.67	22.50	Coil Nominal Voltage 150% 额定电压的 150%	Coil Nominal Voltage 70% 额定电压的 70%	Coil Nominal Voltage 10% 额定电压的 10%	1.6W
9	177.78	50.60				
12	133.33	90.00				
24	66.67	360.00				
36	44.44	810.00				2.0W
12	166.67	90.00				
24	83.33	360.00				
48	41.67	1,151.91				

ORDERING INFORMATION 订货标记

QY307-012-H-P-F-R 1 2 3 4 5 6	
1. Model Number基本型号: QY307 2. Coil Voltage线圈规格 (VDC): 06,09,12,18,24,36,48 3. Contact Form: H-1 Form A 触点形式: H-1组常开 4. Coil Power: Nil -1.6W, P-2.0W 线圈功率: 无-1.6W, P-2.0W	5. Cover Form: Nil - Without Bracket, F- With Bracket 外壳形式: 无-普通型, F-外壳带背靠型 6. Accessory: Nil - Standard Type, R-With Resistor, D-With Diode 配件形式: 无-普通型, R-带电阻, D-带二极管

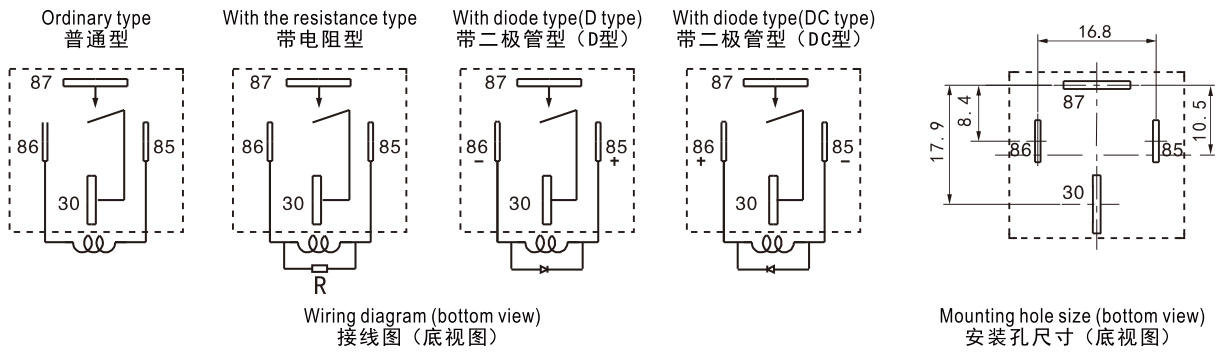
OUTLINE DIMENSIONS (UNIT:mm)外形尺寸 (单位: mm)





Undimensioned tolerance: <1mm: ±0.2mm 1~5mm: ±0.3mm >5mm: ±0.4mm
 未标注尺寸公差: <1mm: ±0.2mm 1~5mm: ±0.3mm >5mm: ±0.4mm

Note: 1. The size of the lead foot is pre welding dimension. 注: 1、引出脚尺寸为预焊前尺寸
 2. installation hole size tolerance: + 0.1mm 2、安装孔尺寸公差: ±0.1mm



TYPICAL USE 典型用途

- Cooling fan control, Oil Mercury control, Heating control, Automotive air conditioning, Rear window fog remover, Battery circuit breaker.
- Head/fog control, Power distribution, Traction control, ABS.
- 冷却风扇控制, 油汞控制, 加热控制, 汽车空调, 后窗除雾器, 电池断路装置。
- 大灯/雾灯控制, 电力分配, 牵引控制系统, 防抱死制动。

PERFORMANCE CHART 性能曲线图

